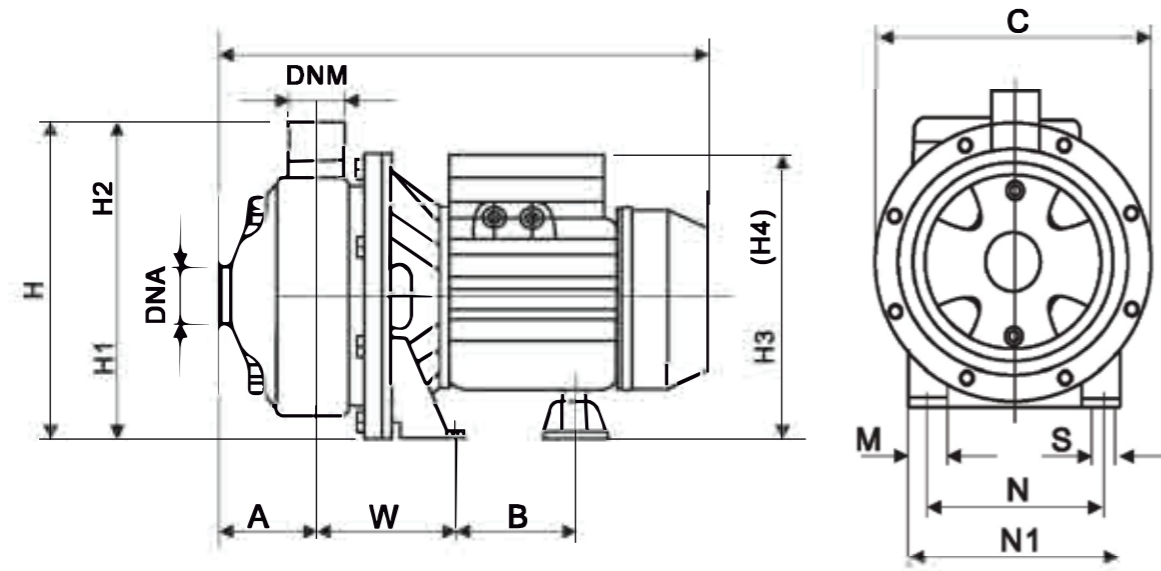


Outline Dimension



Model		Dimensions(Mm)															
Single Phase	Three Phase	A	C	F	H	H1	H2	H	H4	M	N	N1	S	W	B	DNA	DNM
PSB70/037	PSBT70/037	52	213	315	232	108	124	241	213	39	120	158	9	92	82	G1" 1/4	G1"
PSB70/055	PSBT70/055	52	213	315	232	108	124	241	213	39	120	158	9	92	82	G1" 1/4	G1"
PSB70/075	PSBT70/075	52	213	315	232	108	124	241	213	39	120	158	9	92	82	G1" 1/4	G1"
PSB120/075	PSBT120/075	52	213	315	232	108	124	241	213	39	120	158	9	92	82	G1" 1/4	G1"
PSB120/110	PSBT120/110	52	213	370	232	108	124	224	224	39	120	158	9	92	82	G1" 1/4	G1"
PSB120/150	PSBT120/150	52	235	386	252	120	132	234	234	39	140	180	9	94	82	G1" 1/4	G1"
PSB200/075	PSBT200/075	52	213	370	232	108	124	241	213	39	120	158	9	92	82	G1" 1/2	G1"
PSB200/110	PSBT200/110	52	213	370	232	108	124	224	224	39	120	158	9	92	82	G1" 1/2	G1"
PSB200/150	PSBT200/150	52	213	370	232	108	124	224	224	39	120	158	9	92	82	G1" 1/2	G1"
PSB2070/185	PSBT120/260	91	235	421	257	120	137	260	234	39	140	180	9	94	90	G1" 1/4	G1"
	PSBT070/185	91	235	421	257	120	137		242	40	140	180	9	93	80	G1" 1/4	G1"

WATER PUMP

PSB SERIES



