

Potenza CTF Series

Performance Introduction

- Potenza 12" Portable Ventilator & Blower Fan.
- Strong suction and powerful flow.
- Light weight with durable material.
- New bell-shaped mouth reduces noise at work.
- Power: 240V/1 PH/50HZ

Applications:

- Shipyard, factories, basement, chemical,
- Tunnels, farm house, kitchen, mining & etc.
- Events advertising, landmarks & direction.



The main technical parameters

Model	Diameter (inch)	Voltage (V)	Traffic (m³/h)	Motor power (w)	Total Pressure (Pa)
CTF3-2	12"	240	3000	550	230
*CTF3-2FS	12"	240	3000	550	230

*FS=Foot stand



Potenza TF950 Series

Performance Introduction

- 3-Speed selector H/M/L
- Powerful 950W turbo fan motor.
- Handy & mobile mounted on trolley.
- Low noise strong airflow.
- Light weight with durable material.
- Safety wire mesh at suction & outlet.

Applications:

- Drying wet floors.
- Carpet, toilet, walk ways,
- Hotels, workshops, markets, play grounds,
- Shopping malls, sports courts & etc.



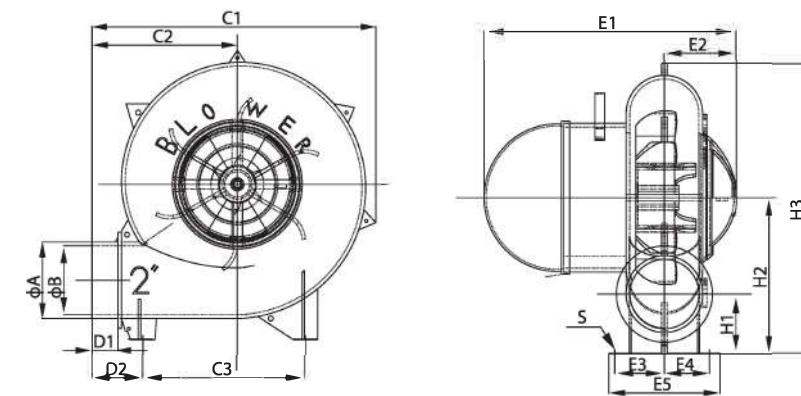
The main technical parameters

Model	Frequency (Hz)	Power (kW)	Rated Voltage (v)	Air Volume (m/h)
TF950	50	950	240	L :110 M:120 H :160

Potenza SBP Series

Performance Introduction

Blower SBPseries are suitable for oven, plastic, printing industry, cooling, drying purpose, kitchen, etc. Potenza SBP Series are designed for easily to move, high efficiency low noise level. SBPblower casing and impeller in cast aluminium of the aero dynamic shape and light weight. Impeller with perfectly balanced ensure vibration free. Permanently lubricated bearing mean the blower require no maintenance.



Mounting Dimension

MODEL	φA	φB	C1	C2	C3	D1	D2	E1	E2	E3	E4	E5	H1	H2	H3	S
*SBP-20	55	49	202	105	108	19	55	165	55	39	25	98	40	110	208	4-φ 6
*SBP-25	70	63	255	128	145	21	50	204	70	64	41	140	51	144	260	4-φ 6
*SBP-30	82	75	278	147	171	24	53	251	78	69	55	161	62	162	295	4-φ 6
SBP-40	107	99	330	182	182	31	79	323	105	117	69	234	87	188	340	4-φ 6
SBP-50	131	125	402	231	210	45	95	388	118	142	99	276	138	246	398	4-φ 6

* Available Stock

The main technical parameters

Model	PVoltage (V)	Frequency Hz	Power (W)	Speed (r/min)	Current (A)	volume (m ³ /h)
*SBP-20	240	50	150	3000	1.0	120
*SBP-25	240	50	260	3000	1.6	240
*SBP-30	240	50	370	3000	2.0	280
SBP-40	240	50	550	3000	2.8	570
SBP-50	240	50	750	3000	3.5	1210

* Available Stock

Potenza CZR/CZT 100 Series

Performance Introduction

- Excellent aluminium alloy cover through casting, strong looking overall appearance.
- Utilizes CAD optimized design for blade, stable air pressure .
- Suitable for diesel oil gasification stove, industrial boiler, smelting, plastic production machinery .
- Agriculture winnowing and kitchen fitting equipment.

The main technical parameters

Model	mm	V	phase	HZ	W	r/mm	m ³ min	pa
*CZR -60	60	240	1	50	250	2800	450	900
*CZR -80/CZT -80	80	240/415	1/3	50	370	2800	630	1400
*CZR -100/CZT -100	100	240/415	1/3	50	750	2800	990	1900
*CZT -120	120	415	3	50	1500	2800	1710	2400
CZT -120	120	415	3	50	2200	2800	1932	2600
CZT -130	130	415	3	50	2200	2800	2334	3200
CZT -140	140	415	3	50	4000	2800	2772	5400

*Available Stock

