

potenza

FAN & BLOWER



www.potenza2u.com

Misting Fan

MFS SERIES STAND & WALL POWERFUL FAN

- Centrifugal misting system means no nozzles and filter needed.
- Adjustable misting volume, low noise.
- Air supplying, misting and oscillating functions are driven by different motors, convenient to use and easy to maintain.
- Fan surface is epoxy resin coated, anti-rust and durable.
- The motor is low temperature-rise designed, adopts cold-rolled silicon steel sheet and pure copper winding, and it has a re-settable thermal protector, which ensure stable performance, long service life and strong overload capacity.
- Water pump adopts protective device to protect it from burning out when water running out.
- 90° left and right oscillation angle, three speeds.
- Waterproof electric design, safe to use.
- Designed for cooling large areas such as patios, factories, manufacturing facilities, farms, garages, athletic fields, greenhouses and more.

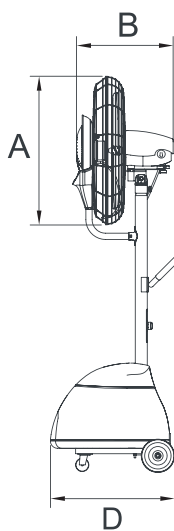


MFS-26E
Mobile type

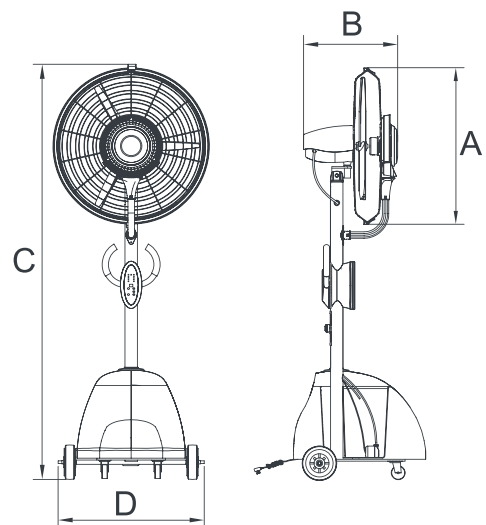
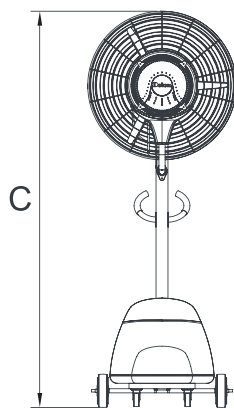


MFS-26L
Mobile type with remote control

Outline dimensions



MFS-26E



MFS-26L

Misting Fan

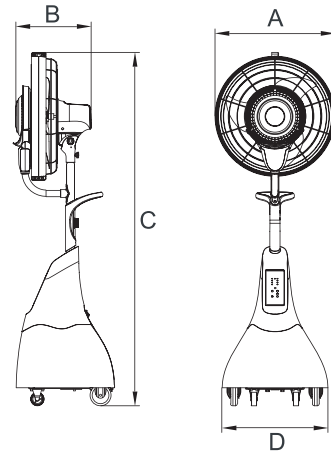


MFS-20L
Mobile type with remote control

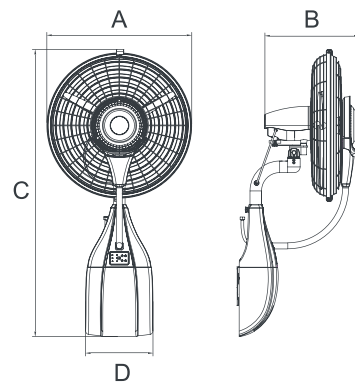


MFW-20L
Wall type with remote control

Outline dimensions



MFS-20L



MFW-26L

Model	Diameter of blade (mm)	A/B/C/D Outline dimensions (mm)	Voltage & frequency	Tank capacity (L)	Max misting Volume (L/h)	Using hours for one tank of water (H)	Speed	Power (W)	Speed (rpm)	Air volume (m ³ /min)	Noise (dB)	Certificates
MFS-26E	650/26"	715/435/1930/612	220V/50Hz	48	5	9-15	low	210	1100	143	55	CE CB SASO G-MARK RoHS ERP
							medium	220	1250	174	60	
							high	240	1400	220	68	
MFS-26L	650/26"	726/435/1930/678	220V/50Hz	23	5	5-10	low	210	1100	143	55	
							medium	220	1250	174	60	
							high	240	1400	220	68	
MFS-20L	500/20"	572/372/1685/505	220V/50Hz	15	2.8	5-8	low	150	1000	65	50	
							medium	160	1200	78	53	
							high	180	1400	96	58	
MFW-26L	650/26"	726/473/1435/340	220V/50Hz	7	3.5	continuous use	low	210	1100	143	55	
							medium	220	1250	174	60	
							high	240	1400	220	68	

Powerful Fan

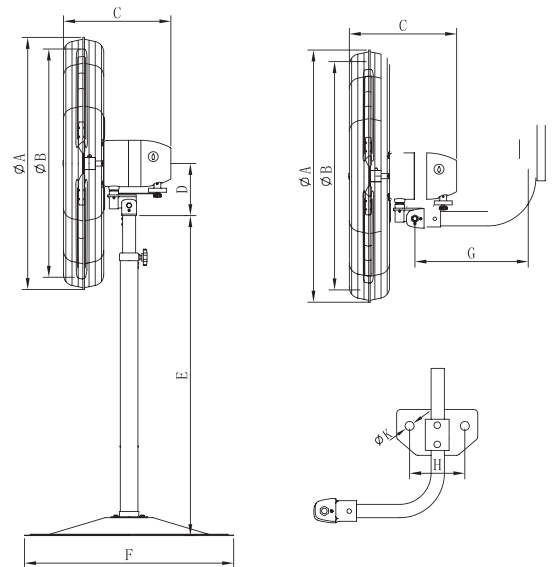
DFP SERIES STAND & WALL POWERFUL FAN

- Optimized blade structure, die-casting aluminum blade.
- Large air volume, low noise.
- The motor adopts cold-rolled silicon steel sheet, copper enameled wire, less than 50K temperature rise design, with excellent overload capacity. The motor uses high quality low noise metal gear box and built-in re-settable thermal protector to ensure stable operation, the fan can run 5000 hours continuously.
- Three speeds, oscillation angle adjustable.
- Two or three blades is optional. Metal base or plastic base (can pass 0.8 meter's drop test) is optional for stand type; pull cord switch can be added with additional price for wall fan.
- Used for cooling and ventilation in factories, workshops, warehouses, and more.



pull cord switch for option

Outline dimensions

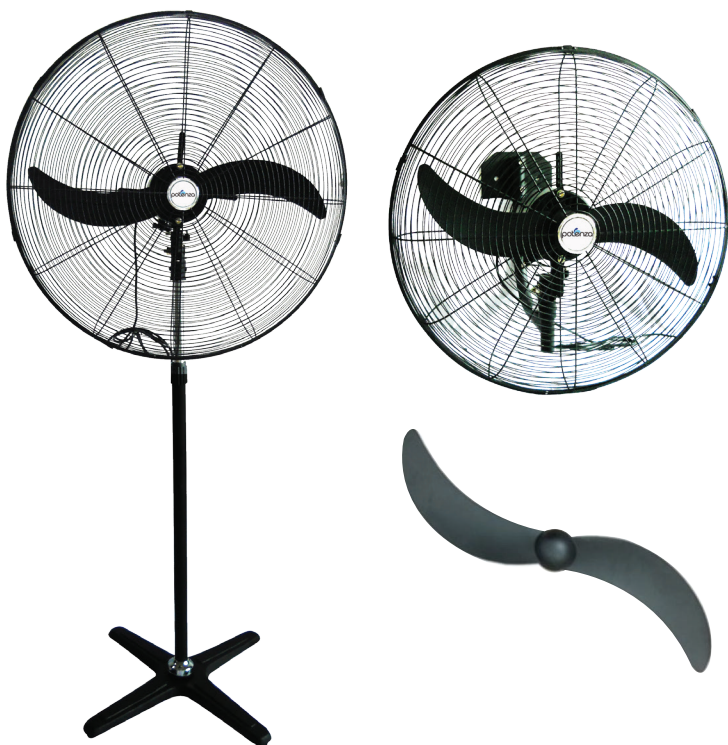


Model	Diameter of blade (mm)	A/B/C/D/E/F/G/H/K/L Outline dimensions (mm)	Voltage & frequency	Speed	Power (W)	Speed (rpm)	Air volume (m ³ /min)	Noise (dB)	Certificates
DFP500-T	500/20"	560/500/360/205/765/550/-/-/-/1320	220V/50Hz	low	90	1100	85	48	CE CB SAA G-MARK RoHS SASO ERP ECO
DFP500-TW				medium	95	1250	105	50	
				high	120	1400	120	55	
DFP600-T	600/24"	660/600/360/205/765/550/-/-/-/1320	220V/50Hz	low	110	1100	115	52	
DFP600-TW				medium	120	1250	135	56	
				high	150	1400	175	62	
DFP650-T	650/26"	715/650/360/205/965/600/-/-/-/1520	220V/50Hz	low	120	1100	135	55	
DFP650-TW				medium	135	1250	160	60	
				high	160	1400	195	68	
DF750-T	750/30"	815/750/360/205/965/600/-/-/-/1520	220V/50Hz	low	160	1100	195	58	
DF750-TW				medium	175	1250	245	70	
				high	220	1400	270	75	

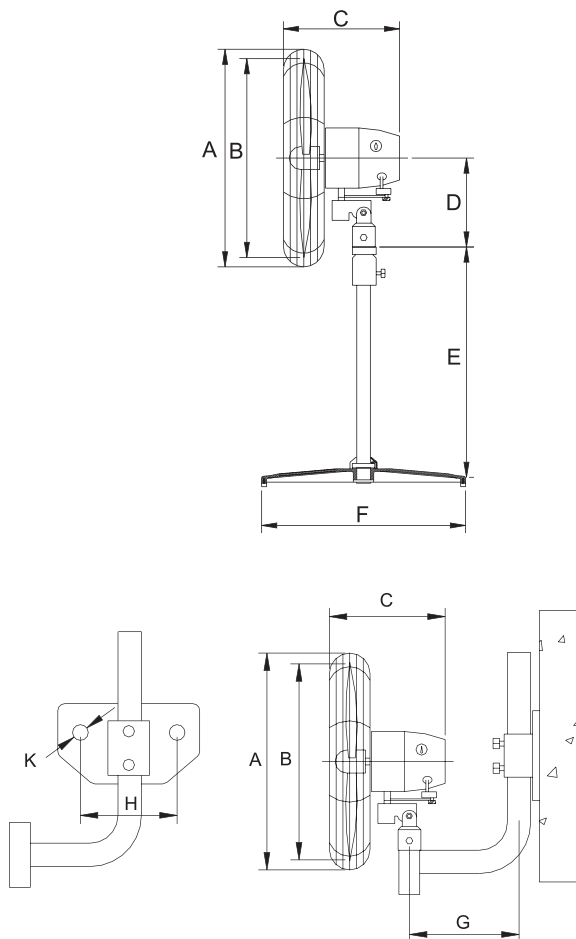
Powerful Fan

DFP SERIES STAND & WALL POWERFUL FAN

- Optimized blade structure, die-casting aluminum blade.
- Large air volume, 1.5 to 2 times larger than similar products in the market, low noise.
- The motor adopts cold-rolled silicon steel sheet, copper enameled wire, less than 50K temperature rise design, with excellent overload capacity. The motor uses high quality low noise metal gear box and built-in re-settable thermal protector to ensure stable operation, the fan can run 5000 hours continuously.
- Three speeds, oscillation angle adjustable, two or three blades is optional, pull cord switch for wall fan can be added with additional price.
- Used for cooling and ventilation in factories, workshops, warehouses, and more.



Outline dimensions



MODEL	SIZE	VOLTAGE	PHASE	Hz	Watt	m ³ /min	dB(A)
EFP-650T	26"	240	1	50	160	205	80
EFP-650W	26"	240	1	50	160	205	80

Drum Fan

> Drum Fan (luxury type, normal type & economic type)

- The motor adopts cold-rolled silicon steel sheet, copper enameled wire with very small loss, less than 50K temperature rise design, with excellent overload capacity.
- The motor uses high quality low noise ball bearing, and built-in re-settable thermal protector to ensure low noise, stable operation and long service life.
- Wide blade provides big and comfortable wind.
- Adjustable speeds, blowing angle is adjustable within 360°.
- Equipped with wheels, easy to move.
- Suitable for cooling and ventilation in factories, diggings, garages and more.



Luxury type
HVF-60L(24")



Luxury type
HVF-90L/105L(36"/42")

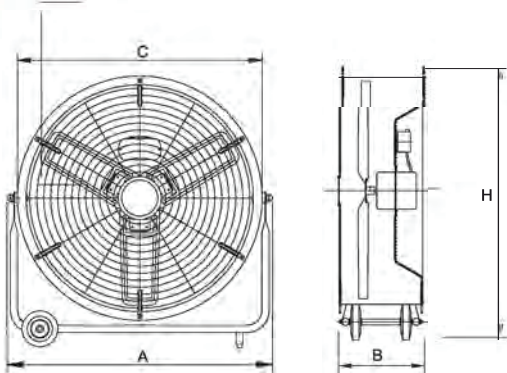


Normal type
HVF-65N/75N(26"/30")



Economic type
HVF-90E/105E(36"/42")

Outline dimensions



Model	Diameter of blade (mm)	A/B/C/H		Voltage & frequency	Speed	Power (W)	Speed (rpm)	Air volume (m ³ /min)	Noise (dB)
		Outline dimensions (mm)							
HVF-60L	600/24"	750/290/670/760		240V/50Hz	low	190	1050	214	60
					medium	210	1150	270	65
					high	260	1360	302	70
HVF-90L HVF-90E	900/36"	1060/525/980/1140 1060/480/980/1040		240V/50Hz	low	520	750	350	65
					high	650	850	460	75
*HVF-105L HVF-105E	1050/42"	1230/525/1120/1290 1230/480/1120/1160		240V/50Hz	low	620	750	410	65
					high	750	850	540	75
HVF-65N	650/26"	810/290/740/830		240V/50Hz	low	142	750	143	55
					medium	160	850	174	60
					high	187	910	220	65
*HVF-75N	750/30"	910/290/840/920		240V/50Hz	low	175	750	214	58
					medium	195	850	270	67
					high	240	910	302	68

*Available In Stock

Commercial Fan

> CF Series Commercial Fan

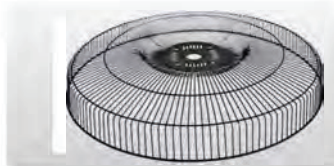
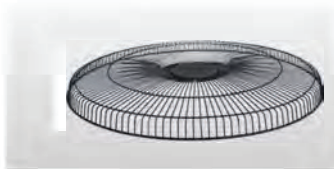
- Streamlined aluminum blade, low noise, large air volume, and soft air supply.
- The motor adopts cold-rolled silicon steel sheet, copper enameled wire with very small loss, less than 50K temperature rise design, with excellent overload capacity.
- The motor uses high quality low noise ball bearing and built-in re-settable thermal protector to ensure stable operation.
- The fan can run 5000 hours continuously.
- Durable oscillation mechanism controlled by metal gears micro motor.
- Air supply pitching angle adjustable, with oscillation function, provides large wind supply area.
- Three speeds, height of the stand fan adjustable.
- Adopts bigger and heavier plastic base, safe and secure.
- Easy to use.
- Modern appearance, elegant color, and excellent craft.
- Ideal choice for cooling at home, or in offices, hotels, stores, restaurants, and more.



(18", 20")
Industrial grill



(18", 20")
Industrial grill



Domestic grill
(18", 20")



Domestic grill
(18", 20")

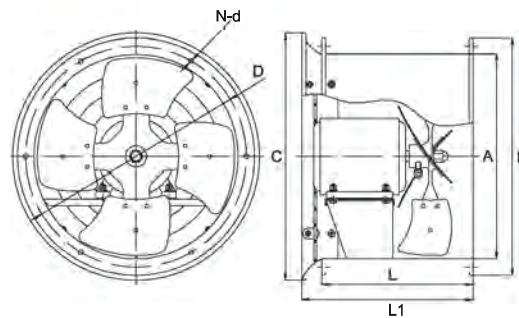
Axial Fan

FG Series Low Noise Axial Duct Fan



- The fan adopts specially designed forward curved three-dimensional twisted blade.
- Low noise, large air flow, high efficiency, and stable air pressure.
- The fan is powder coated with lasting bright color.
- The fan with rear grill, front grill is optional.
- Suitable for ventilation in factories and civil buildings.

Outline dimensions



Model	Diameter of blade (mm)	A/B/C/D/N-d/L/L1 Outline dimensions (mm)	Voltage & frequency (V)	Power (KW)	Speed (rpm)	Air flow (m ³ /min)	(Pa)
SF3G-4	300/12"	310/360/375/335/6-Φ7/230/260	415V/50Hz	0.08	1420	27	65
*DF3G-4	300/12"	310/360/375/335/6-Φ7/230/260	240V/50Hz	0.08	1420	27	65
SF3.5G-4	350/14"	360/410/415/385/6-Φ7/230/260	415V/50Hz	0.37	1420	62	130
DF3.5G-4	350/14"	360/410/415/385/6-Φ7/230/260	240V /50Hz	0.37	1420	62	130
SF4G-2	400/16"	410/460/480/435/8-Φ9/260/300	415V/50Hz	1.1	2800	111	307
SF4G-4	400/16"	410/460/480/435/8-Φ9/260/300	415V/50Hz	0.55	1420	88	166
*DF4G-4	400/16"	410/460/480/435/8-Φ9/260/300	240V /50Hz	0.55	1420	88	166
SF5G-2	500/20"	510/560/595/535/8-Φ9/260/310	415V/50Hz	1.5	2800	233	350
DF5G-2	500/20"	510/560/595/535/8-Φ9/260/310	240V /50Hz	1.5	2800	233	350
SF5G-4	500/20"	510/560/595/535/8-Φ9/260/310	415V/50Hz	0.75	1420	155	196
*DF5G-4	500/20"	510/560/595/535/8-Φ9/260/310	240V /50Hz	0.75	1420	155	196
SF5G-4	500/20"	510/560/595/535/8-Φ9/260/310	415V/50Hz	1.5	1420	155	196
SF5G-6	500/20"	510/560/595/535/8-Φ9/260/310	415V/50Hz	0.37	960	128	98
SF6G-2	600/24"	610/670/695/640/8-Φ9/345/395	415V/50Hz	3	2800	333	400
SF6G-6	600/24"	610/670/695/640/8-Φ9/375/425	415V/50Hz	1.1	960	217	176
*SF6G-4	600/24"	610/670/695/640/8-Φ9/375/425	415V/50Hz	2.2	1420	312	294
*DF6G-4	600/24"	610/670/695/640/8-Φ9/375/425	240V /50Hz	2.2	1420	312	294
SF7G-4	700/28"	710/770/825/740/10-Φ12/400/450	415V/50Hz	3	1420	408	315
DF7G-4	700/28"	710/770/825/740/10-Φ12/400/450	240V /50Hz	2.2	1420	400	300
SF7G-6	700/28"	710/770/825/740/10-Φ12/375/425	415V/50Hz	2.2	960	383	195
SF8G-4	800/32"	810/870/925/840/12-Φ12/400/450	415V/50Hz	4	1420	500	345
SF8G-6	800/32"	810/870/925/840/12-Φ12/400/450	415V/50Hz	2.2	960	467	196

*Available In Stock

Propeller Fan



GLF Axial Fan (With shutter)



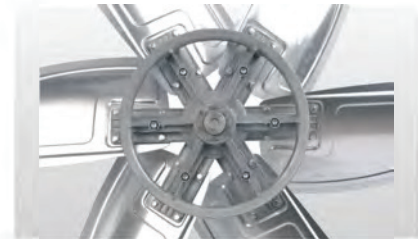
GLF-B Axial Fan (With both side grills)



Blade--Adopts punching high quality aluminum, and it has the advantages of light weight, beautiful and dignified in appearance, high-class, and antirust.



Shutter--Adopts high quality galvanized steel, and it has the advantages of automatically controlled in opening and closing, hurricane lamp and waterproof.

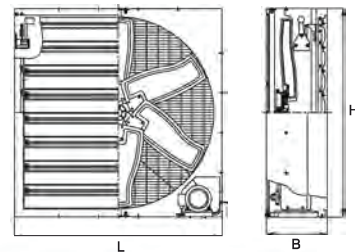


Blade supporter--Adopts high intensity and die-casting aluminum, and it has the advantages of light weight, high intensity, easy to install and antirust.

> GLF Series Propeller Fan

- Low noise, big airflow, power saving, and easy to install.
- Shutter type or grill type can be chosen as per using requirement. Fan shutters automatically open or close following with the fan starts or stops running, which achieves dust-proof, water-proof, and appearance clean; grill type has the same performance as shutter type, more simple.
- Suitable for ventilation in warehouses, animal farms, factories and more.

Outline dimensions



Model	Diameter of blade (mm)	Outline dimensions (mm)	Voltage & frequency	Power (KW)	Speed (rpm)	Air volume (m ³ /min)	Noise (dB)
GLF5#	500/20"	600/600/400	415V/240V/50Hz	0.55	1400	117	72
GLF5.6#	560/22"	750/750/400	415V /240V /50Hz	0.45	960	133	65
GLF7#	700/28"	850/850/400	415V /240V /50Hz	0.45	960	230	71
GLF8#	800/32"	900/900/400	415V/50Hz	0.37	450	267	59
*GLF9.5#	950/38"	1060/1060/400	415V /240V /50Hz	0.75	450	533	60
GLF11.2#	1120/45"	1220/1220/400	415V /240V /50Hz	0.75	450	617	63
*GLF12.5#	1250/50"	1380/1380/400	415V /240V /50Hz	1.1	450	742	65

*Available In Stock

Powerful Fan

> PGH Series Propeller Exhaust Fan

- Large induced draft amount , and it has long service life
- Large air flow, low noise, spare electricity power, reverse for ventilation Utilizes CAD optimized design for blade with high efficiency.
- With front and back guard grill, suitable for special installation defend requirement, safety.
- Suitable for school, hotel, home etc for ventilation.



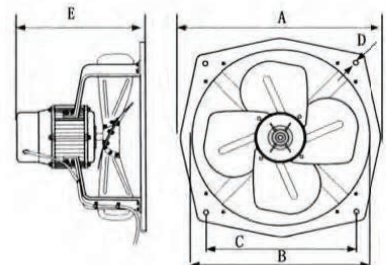
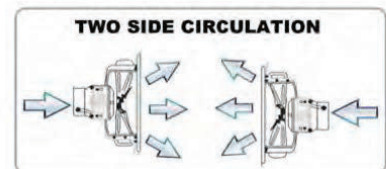
Introduction to Functions

Model	mm	V	phase	HZ	W	r/mm	m ³ /min	dB(A)
PGH-10	250	240	1	50	50	1400	15	50
PGH-12	300	240	1	50	100	1400	30	69
PGH-14	350	240	1	50	150	1400	40	70
PGH-16	400	240	1	50	165	1400	48	74
PGH-18	450	240	1	50	230	1400	82	78
PGH-20	500	240	1	50	260	1400	93	78
PGH-24	600	240/415	1/3	50	700/330	1400/960	196/105	80/76
PGH-30	750	415	3	50	900	960	270	85
PGH-35	900	415	3	50	750	720	350	82

*Available In Stock

Model	A(mm)	B(mm)	D(mm)	E(mm)
PGH-25	297	235	250	9
*PGH-30	390	325	308	8.5
PGH-35	437	369	335	8.5
*PGH-40	483	417	367	8.5
*PGH-45	558	476	435	10.5
PGH-50	600	520	470	10.5
*PGH-60	700	623	585	12
PGH-75	898	768	710	13
PGH-90	1050	900	820	17

*Available In Stock





www.potenza2u.com